

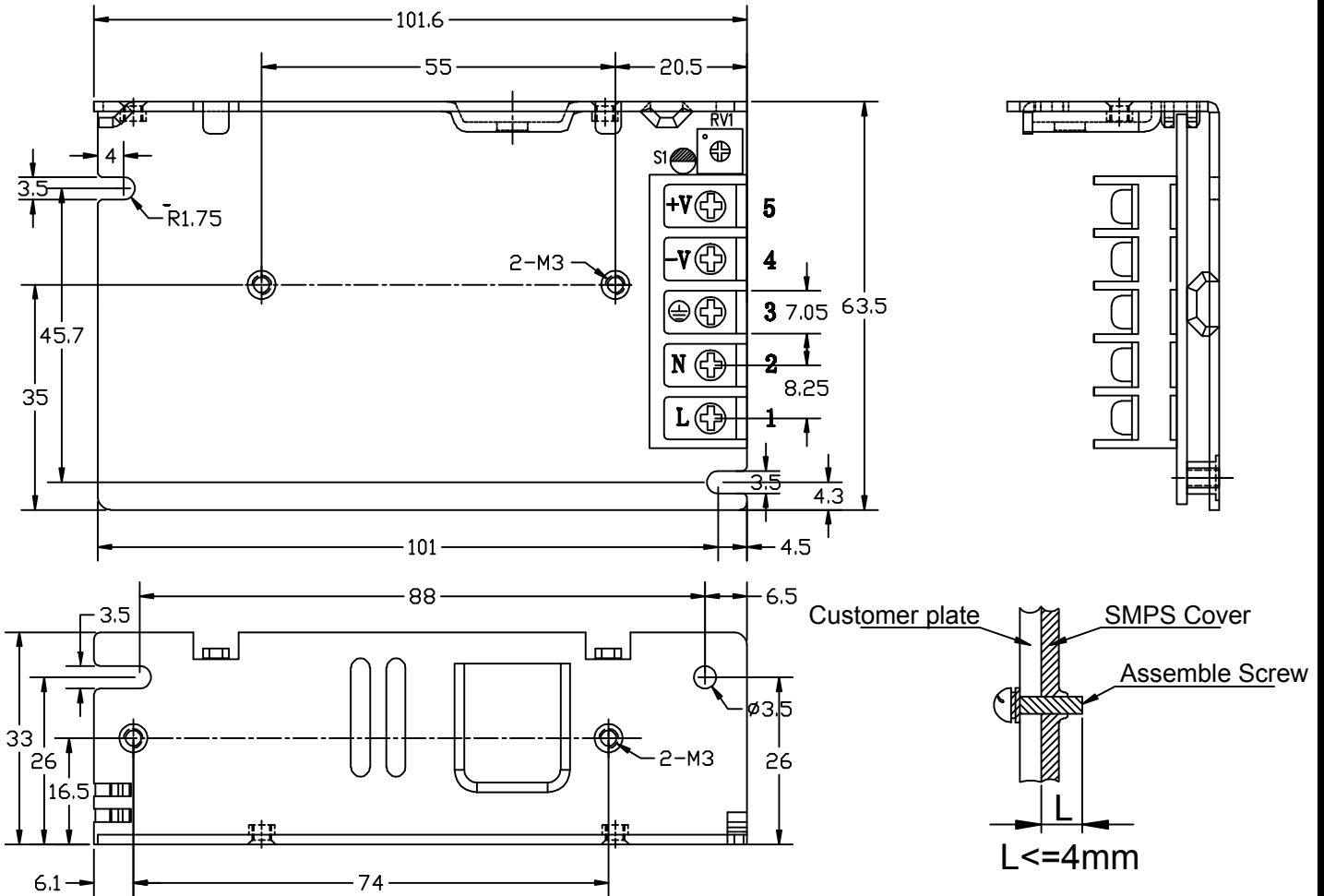
**Features:**

- Universal AC input/ Full range
- No Load Power Consumption <0.5W
- Wide Operating Ambient Temperature (-25°C~70°C)
- Operating Altitude up to 5000M
- High Efficiency, and High Reliability
- Output Protections: OLP/OVP/SCP
- All using 105°C long life electrolytic capacitors.
- 100% full load burn-in test
- Withstand 300VA Surge Input for 5 Sec
- PCB soldering side with conformal coating



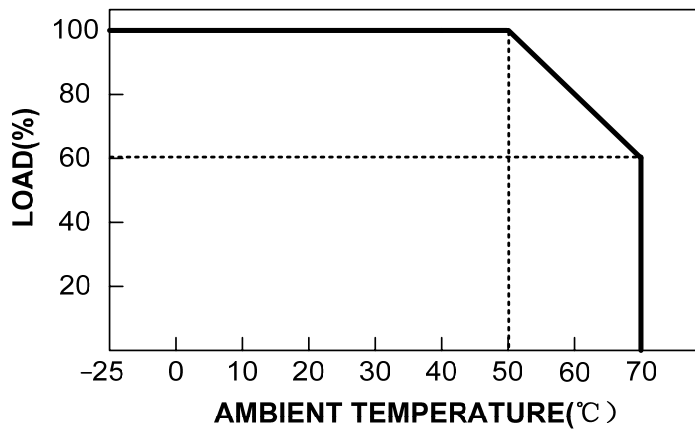

Model	QPD-35-5	QPD-35-12	QPD-35-15	QPD-35-24	QPD-35-48
Output Characteristics					
DC Output	5V	12V	15V	24V	48V
Rated Current	6A	3A	2.4A	1.5A	0.76A
Current Range	0~6A	0~3A	0~2.4A	0~1.5A	0~0.76A
Ripple and Noise	0~70°C	50mV	80mV	120mV	180mV
	-25~0°C	80mV	180mV	200mV	240mV
Voltage ADJ. Range	4.75V~5.5V	11.4V~13.2V	14.3V~16.5V	22.8V~26.4V	45.6V~52.8V
Voltage Accuracy	±3.0%	±3.0%	±3.0%	±3.0%	±3.0%
Line Regulation	±0.5%	±0.5%	±0.5%	±0.5%	±0.5%
Load Regulation	±1.0%	±1.0%	±1.0%	±1.0%	±1.0%
Set-up Time	<1.0s (230VAC input, full load)				
Hold-up Time	>10ms (115VAC input, full load); >20ms (230VAC input, full load)				
Temperature Coefficient	±0.03%/°C				
Overshoot and Undershoot	<5.0%				
Input Characteristics					
Voltage Range	90VAC~264VAC, 127VDC~370VDC				
Frequency Range	47Hz-63Hz				
Efficiency (Typical)	115VAC Input	79%	83%	85%	86%
	230VAC Input	80%	84%	86%	87%
AC Current (max)	<1.0A				
Inrush Current (Typical)	<50A@230VAC Cold start				
Leakage Current	Input-Output: <3.5mA Input-PG: <0.25mA				
Protection					
Over Load (OLP)	105%~150% of rated output current, constant power, auto recovery				
Over Voltage (OVP)	105%~150% of rated output voltage, constant voltage				
Short Circuit (SCP)	Long-term mode, auto recovery				
Environmental Characteristics					
Operating Amb. Temp. & Hum	-25°C~70°C; 20%~90% RH Non-Condensing				
Storage Temp. & Hum	-40°C~85°C; 10%-95% RH Non-Condensing				
Safety Standards	UL60950-1; EN60950-1: 2006				
Withstand Voltage	Primary-Secondary: 3.0KVAC;≤10mA. Primary-PG: 1.5KVAC;≤10mA. Secondary-PG: 0.5KVDC;≤10mA				
Isolation Resistance	≥100M ohms				
EMI Conduction & Radiation	Compliance to EN55022(CISPR22) Class B				
Harmonic Current	Compliance to EN61000-3-2,-3				
EMS Immunity	Compliance to EN61000-4-2, 3, 4, 5, 6, 8, 11; ENV50204, light industry level, criteria A				
General Characteristics					
MTBF (MIL-HDBK-217F)	More than 200,000Hrs (25°C, Full load)				
Dimension (LxWxH)	101.6x63.5x33mm				
Packing	60PCS/CTN. G.W: 15.08kgs				
Cooling Method	Cooling by free air convection				

MECHANICAL SPECIFICATIONS



Pin No.	Assignment
1	AC-L
2	AC-N
3	F.G
4	DC output -V
5	DC output +V

DERATING CURVE



UNIT: mm